



hush.

Movo

Spec Document



Check the product page

Quiet by Design

Movo

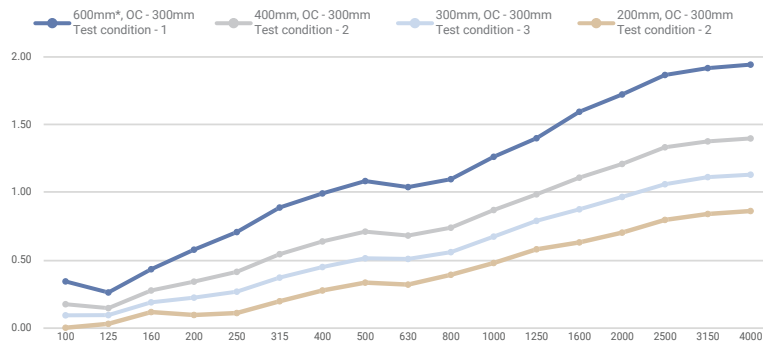
Lightweight ribbon-like forms drift above, softening sound and sculpting the ceiling with graceful curves.

PRODUCT SPECIFICATIONS

Composition	100% PET (Polyethylene Terephthalate); 60% recycled material
Thickness	12mm
Product Placement	Ceiling
NRC	0.85
Fire Rating	CAN/ULC-S102 Class A ASTM E84 Class A
Sustainability	100% Recyclable
Warranty	2 Year Limited



NOISE REDUCTION COEFFICIENT COMPARISON



Full NRC comparison available upon request

Movo

GREENGUARD® GOLD CERTIFICATION

Hush Acoustics has achieved full GreenGuard® Gold sustainability certification, a mark of excellence that ensures our products meet strict standards for low chemical emissions, promoting healthier indoor air quality.

This recognition gives architects, designers, and consumers confidence in choosing Hush for environmentally responsible solutions. Beyond sustainability, Hush's felt products offer excellent sound-absorbing properties, making them ideal for creating quieter, more comfortable spaces.

SUSTAINABILITY

Manufactured from 100% PET(60% recycled material), our felt products demonstrate our commitment to both environmental stewardship and functional design, contributing to a greener and quieter future. It comprising of flame-retardant fiber as new material ensuring ASTM E84 class A certification. The high strength of PET panels in comparison to its weight is the key to its superior energy efficiency.

FUNGAL RESISTANT

Independently tested by EMSL Canada, Hush P.E.T. felt showed zero mold growth under ASTM C1338 laboratory conditions, confirming exceptional durability.

WARRANTY

2 year limited warranty. See F.A.Q. page on our website for more information.

COMPLIMENTARY DOCUMENTATION



Ceiling Hardware
Install Guide



Felt
Maintenance Guide



Flame
Spread

See Resource Hub page on website for more documentation

MOVO

<i>mm</i>	<i>inches</i>
2700 x 200 x 12	106.3 x 7.9 x 0.5
2700 x 300 x 12	106.3 x 11.8 x 0.5
2700 x 400 x 12	106.3 x 15.75 x 0.5
2700 x 600 x 12	106.3 x 23.6 x 0.5

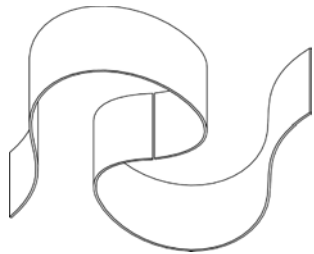
* Custom sizes available upon request

Movo

PLEASE NOTE: The images are only a sampling of the colors. Order a physical color sample to obtain an accurate representation of our acoustic colors. Given our dedication to sustainability and use of recycled materials, a slight color variation could occur between dye lots.

HOW TO SPECIFY

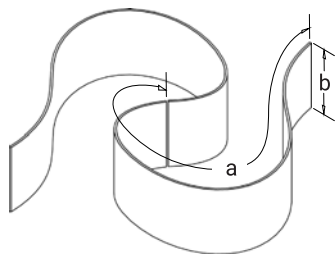
1. Select Design



Movo

2. Select Size

See [page 3](#) for full size chart



3. Select Color

ELEMENT



SUNFLOWER APRICOT WINE CHERRY TAMARIND SALMON



GOLD CARAMEL CINNAMON PEARL MAPLE MOCHA



MOSS FORREST CRYSTAL AQUAMARINE LAPIS OCEAN



LAKE ICE LILAC CHARCOAL SLATE OYSTER



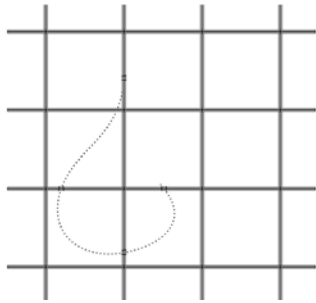
SHADOW CASPER FOG SNOW VANILLA

Movo

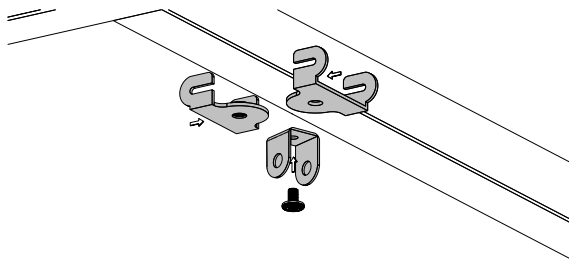
Prior to installation, installers are advised to unpack and lay out panels to determine the most aesthetically pleasing arrangement.

INSTALLATION INSTRUCTIONS

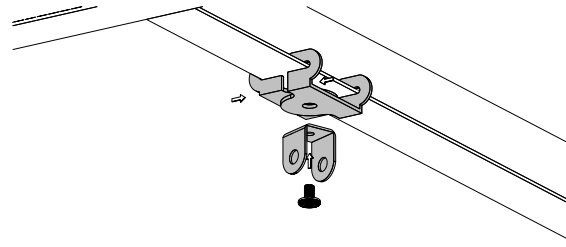
1. Begin by reviewing the proposed layout of your Movo baffles as shown on the shop drawings and/or design files. Make note of where the fixing points will be on your ceiling grid.



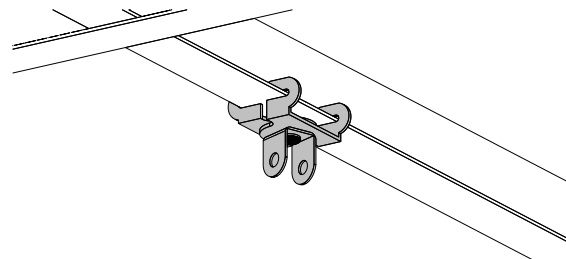
2. Now locate the parts of the mounting hardware as shown below.



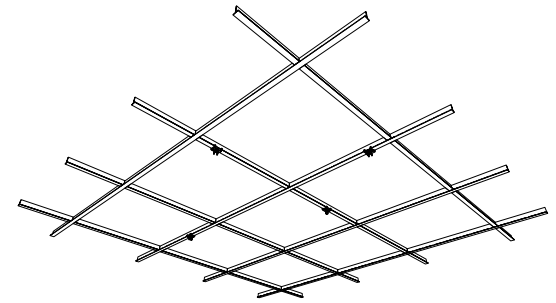
3. Bring the two main sections together, ensuring that the section with the nut is sitting on top of the other section; Using the pan-head bolt, attach the shoulder bracket to the other sections of the hardware and tighten until snug.



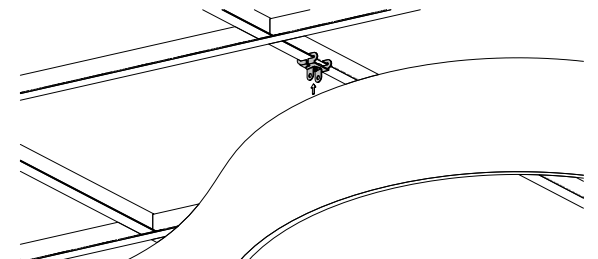
4. Rotate the shoulder bracket to the desired angle to suit the intended flow of the Movo baffle, then tighten the bolt to secure the hardware in place.



5. Continue steps 2-4 for remaining hardware for the Movo baffle.



6. Now lift the baffle up to the grid and align with the shoulder brackets.

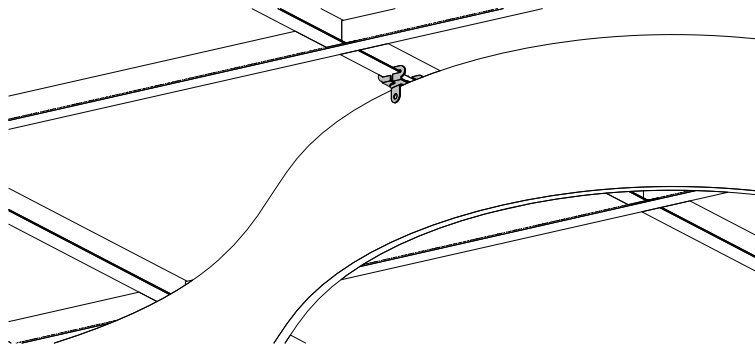


Movo

Prior to installation, installers are advised to unpack and lay out panels to determine the most aesthetically pleasing arrangement.

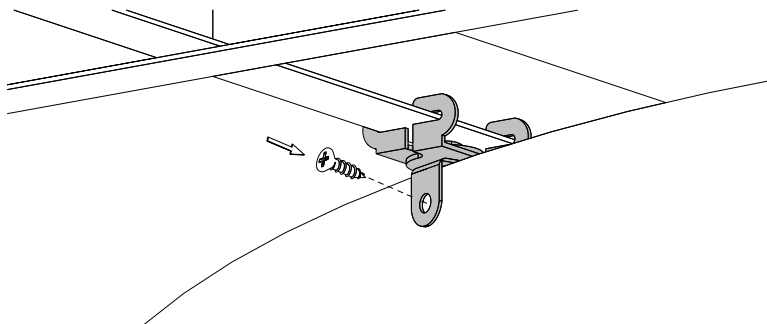
INSTALLATION INSTRUCTIONS · CONT.

7. Ensure that the Movo baffle is pushed firmly against the hardware.

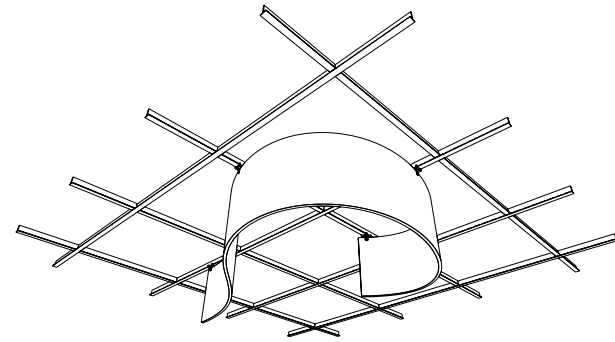


8. While holding the baffle securely in place, fix the baffle to the hardware using the screws provided. You must use two (2) screws per hardware location; one on each side of the baffle.

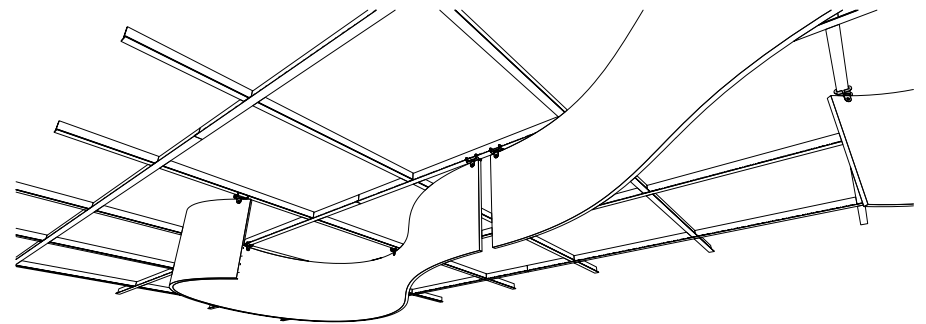
Note: Do not over-tighten the screws!



9. Repeat these steps for the other fixing points on the baffle.



10. Repeat above steps 1-9 for all remaining Movo baffles in your project. For instances when the baffles are in a continuous run, leave a space of approx. 50mm (2") between the finish of one baffle and the start of the next one as shown below. Your installation is now complete.





Movo · Salmon · Office

hush.

Tailored for Architects,
Interior Designers, and
General Contractors, we serve
as a fast, expert, and reliable
partner for all your project ideas.

Quiet by Design



Proudly Made
in North America



2 Year
Limited Warranty



**GreenGuard Gold®
Certified**
All Hush products
exceed GreenGuard
Gold® indoor air
quality standards



**Fungal Resistant
Certified**
EMSL Canada verified
zero mold growth
for Hush P.E.T. felt
(ASTM C1338).

hello@hushacoustics.ca · 1.332.266.9107
733 3rd Ave · Floor 16 #1067
New York, NY 10017 United States

Follow us on Instagram
@hush.acoustics



[hushacousticsUSA.com](https://www.hushacousticsUSA.com)